



## 38 AND 76 SERIES STRAND SUBSTRATE SMOOTH FINISH OR CEDAR TEXTURE PRIMED LAP SIDING

### GENERAL

- At the time of manufacture, siding meets or exceeds the performance standards set forth in ICC-ES AC321 and has achieved code recognition under ESR-1301, CCMC 11826-L, APA recognition under PR-N124, and HUD recognition under HUD-MR-1318c. For copies of Product Approvals go online at <https://lpcorp.com/resources/product-literature/> or call LP Customer Support at 1-800-648-6893.
- Minimum 6 inch (152 mm) clearance must be maintained between siding and finish grade.
- Siding applied adjacent to porches, patios, walks, etc. must have a clearance of at least 1 inch (25 mm) above any surface.
- Minimum 1 inch (25 mm) clearance at intersection with roof line.
- Apply siding in a manner that prevents moisture intrusion and water buildup.
- All wood substrate that is exposed to the weather must be sealed in a manner that prevents moisture intrusion and water build up.
  - Seal ALL exposed cuts of siding and trim. Field spray applied coatings on cuts are not recommended.
  - Sealing can be accomplished by applying a coating or sealant according to the manufacturer's requirements.
  - Butt joints that are covered with joint molding, sealant or factory prefinished end, are considered sealed from the weather.
- See Alternate Fastening Options for fastening lap siding to SIP, ICF and Steel Frame assemblies.
- **DO NOT USE STAPLES.**
- **SIDING MUST NOT BE IN DIRECT CONTACT WITH MASONRY, CONCRETE, BRICK, STONE, STUCCO OR MORTAR.**

### STORAGE

- Store off the ground well supported, on a flat surface, under a roof or separate waterproof covering.
- Keep siding clean and dry. Inspect prior to application.

### STUD SPACING

- 38 Series Strand Substrate lap may be installed on studs spaced a maximum of 16 inches (406 mm) o.c.
- See Alternate Fastening Options for fastening 38 Series Strand Substrate 6 inch (152 mm) and 8 inch (203 mm) lap on studs spaced a maximum of 24 inches (610 mm) o.c.
- 76 Series Strand Substrate lap may be installed on studs spaced a maximum of 24 inches (610 mm) o.c.

- For installations over masonry or concrete walls, the wall shall be furred out and open at the top and bottom of the wall to allow for convective ventilation between framing spaced 16 inches (406 mm) o.c. The framing shall be of adequate thickness to accept 1-1/2 inches (38 mm) of nail penetration. A properly installed breathable water-resistant barrier is required between the siding and masonry or concrete walls.

### MOISTURE

- Moisture control and moisture vapor control are critical elements of proper housing design. Check your local building codes for application procedures for handling moisture and water vapor in your area.
- When using wet blown cellulose insulation, the insulation must not be in direct contact with the siding and it must be allowed to dry a minimum of 24 hours or longer if specified by the insulation manufacturer.
- As with all wood products, do not apply engineered wood siding to a structure having excessive moisture conditions such as drying concrete, plaster or wet blown cellulose insulation. If such conditions exist, the building should be well ventilated to allow it to dry prior to the application of the siding.
- Siding must not be applied to green or crooked structural framing members. Do not apply siding over rain-soaked or buckled sheathing materials.
- Gutters are recommended for control of roof water run off.

### SECONDARY WATER-RESISTANT BARRIER

- A properly installed breathable water-resistant barrier is required behind the siding. Consult your local building code for details.
- LP will assume no responsibility for water penetration.

### GAPS & SEALANTS

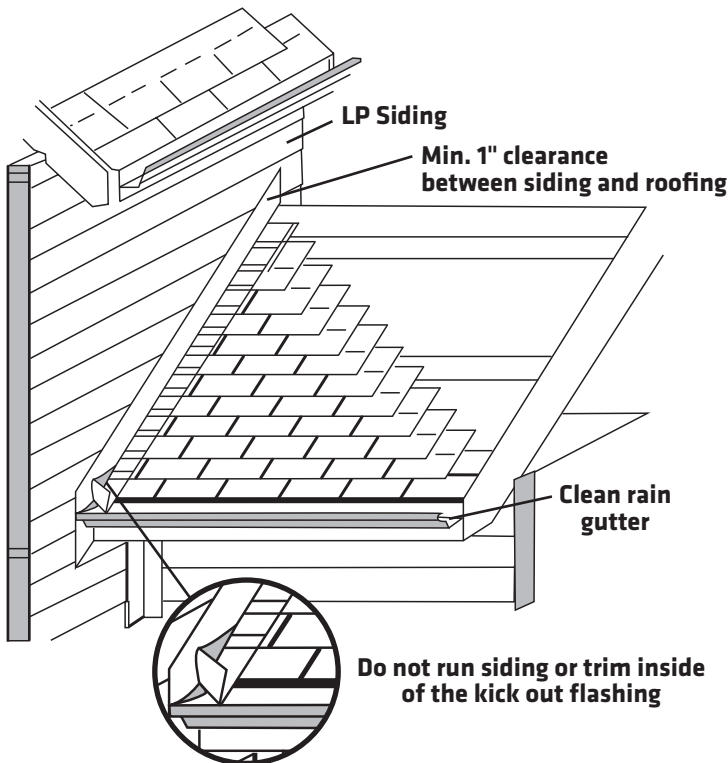
- Seal gaps with a high-quality, non-hardening, paintable sealant.
- Follow the sealant manufacturer's instructions for application.
- Use a high-quality exterior sealant meeting the ASTM C920, minimum Class 25 sealant.

### FLASHING, WINDOWS, DOORS & OPENINGS

- All openings must be properly sealed or flashed in a manner that prevents moisture intrusion or buildup. Several examples that accomplish this are shown on the following pages.

## KICK-OUT FLASHING

- Install kick-out flashing to direct the water into the gutter.
- Install step flashing with minimum 4 inch (102 mm) upper leg.
- Properly integrate flashing with the secondary water-resistant barrier. Use housewrap, flashing tape, Z-flashing, or other items as needed to maintain the counterflashing principle.
- **DO NOT extend the siding or trim into the kick-out flashing or gutter.**
- Maintain a clearance between the end of the gutter and the adjoining wall to allow for proper maintenance of the siding.
- Seal ALL exposed cut edges.



## TRIM

- Trim should be thick enough so the lap siding does not extend beyond the face of the trim.
- Trim and fascia must be applied in a manner that will not allow moisture intrusion or water buildup.
- LP® SmartSide® siding is not designed and/or manufactured to be used as trim or fascia.
  - LP SmartSide trim and fascia are available in a variety of dimensions.

## FINISHING INSTRUCTIONS

- **Seal all exposed surfaces, including all drip edges or where water will hang.**
- Apply finish coat as soon as possible or within 180 days of application.
- Follow the coating manufacturer's application and maintenance instructions.

- For best results use exterior-quality 100% acrylic latex paint, specially formulated for use on wood and engineered wood substrates; oil paint is acceptable.
  - Alkyd acrylic hybrid paint used as a primer is acceptable, not as finish coat.
  - DO NOT USE shake or shingle paint.
  - DO NOT USE semi-transparent and transparent stain.
  - DO NOT USE Vinyl-based resin formulas such as vinyl acetate, PVA, vinyl acetate/acrylic copolymer paint.

### SMOOTH FINISH Lap Siding:

- For best results use satin finish.

### CEDAR TEXTURE Lap Siding:

- For best results use satin or semi-gloss finish.

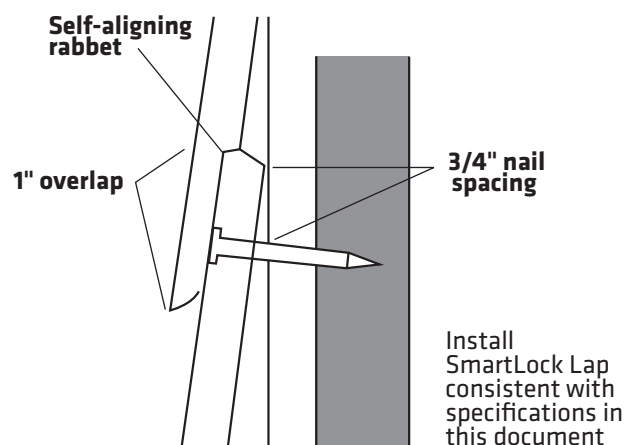
### PREFINISHED Lap Siding:











- Handle prefinished LP SmartSide lap siding with extreme care during storage and application.
- Touch up any damage to finish that may occur during application per the Prefinishers specifications.

## NAILING INSTRUCTIONS

- LP SmartSide 38 Series lap siding may be attached directly to framing members spaced a maximum of 16 inches (406 mm) o.c.
- LP SmartSide 76 Series lap siding may be attached directly to framing members spaced a maximum of 24 inches (610 mm) o.c.
- Check your local building codes before starting to install siding to confirm if wood structural panel wall sheathing is required.
- Siding butt joints should be staggered over successive courses.
- **For siding installations with or without wood structural panels, butt joints must occur over stud locations.**
- Siding shall be installed with top (blind) nailing, with the nails placed 3/8 inch (10 mm) from either end and a minimum of 3/4 inch (19 mm) from the top edge of the board. Fasteners will be exposed on siding located immediately below window sills, fascia boards, and horizontal trim. Fasteners below window sill shall be spaced a maximum of 8 inch (203 mm) o.c.
- Overlap successive courses of siding a minimum of 1 inch (25 mm).

## SmartLock Lap Overlap & Blind Fastening



CONDITION		CORRECTION	
Snug		OK	
Flush		OK	
Visible fiber		Paint	
Countersunk 1/16" - 1/8"		Apply sealant	
Countersunk more than 1/8"		Apply sealant and re-nail	

- Use minimum 8d (0.113 inch shank diameter), hot-dipped galvanized nail.
- All exposed face nails must be caulked and sealed in a manner that prevents moisture intrusion and water buildup.
- Penetrate structural framing or wood structural panels and structural framing a minimum of 1-1/2 inches (38 mm).
- Nail from the center of the siding toward the ends, or from one end to the other end. NEVER nail from the ends of the siding toward the middle.
- Shim siding at studs as needed, to avoid drawing siding against uneven walls. Do not overdrive nails. Nail head should seat firmly to face of siding but not be overdriven to distort the siding surface.
- For information on fastening LP SmartSide products in high wind speed areas, refer to ICC-ES Report ESR-1301 or APA PR-N124.

### Alternative Fastening Option for Strand Lap Siding over Wood Structural Panels and 24 inch (610 mm) o.c. Stud Spacing

- Limited to 6 inch (152 mm) and 8 inch (203 mm) wide lap siding.
- Wood structural panels must be a minimum 7/16 Category with an APA Trademark that contains the consensus Standard DOC PS 2.
- 38 Series Strand Substate lap must be fastened with:
  - Minimum #8 hot dip galvanized tapered head wood screw, spaced a maximum of 12 inches (305 mm) o.c. with 1-1/2 inch (38 mm) screw penetration into stud or...
  - Minimum 6d (0.092 in. shank diameter) hot-dipped galvanized ring shank nail, spaced a maximum of 8 inches (203 mm) o.c. with 1-1/2 inch (38 mm) nail penetration into stud.

### Alternative Fastening Options over SIP Assemblies

- Wood structural panels must be a minimum 7/16 Category with an APA Trademark that contains the consensus standard DOC PS 2.
- 38 Series Strand Substrate lap must be fastened with:
  - Minimum #8 hot dip galvanized tapered head wood screw, spaced a maximum of 12 inches (305 mm) o.c. or...
  - Minimum 6d (0.092 inch shank diameter) hot-dipped galvanized ring shank nail, spaced a maximum of 8 inches (203 mm) o.c.
- 76 Series Strand Substrate lap must be fastened with:
  - Minimum #8 hot dip galvanized tapered head wood screw, spaced a maximum of 16 inches (406 mm) o.c. or...
  - Minimum 6d (0.092 inch shank diameter) hot-dipped galvanized ring shank nail, spaced a maximum of 12 inches (305 mm) o.c.

### Alternative Fastening Option over ICF Assemblies

- 38 and 76 Series Strand Substrate Lap must be fastened with:
  - Minimum #8 hot-dipped galvanized, tapered head, self-drilling screw.
  - Minimum penetration of 3/8 inch (10 mm) beyond the thickness of the nailing flange.
  - Larger screws may be required by the ICF Manufacturer based on the following minimum withdrawal requirements.
- Minimum withdrawal value of the ICF nailing flange must be 50 lbs. with a maximum 12 inches (305 mm) o.c. screw spacing.
- Minimum withdrawal value of the ICF nailing flange must be 31 lbs. with a maximum 6 inches (152 mm) o.c. screw spacing.

### Alternative Fastening Options over Corrosion Resistant Steel Stud Framing

- Minimum withdrawal value of the steel framing must be 50 lbs. Refer to the framing manufacturer's evaluation report.
- 38 Series Strand Substrate lap must be fastened with:
  - Stud spacing a maximum spacing of 16 inches (406 mm) o.c.
  - Minimum #8 hot-dipped galvanized, tapered head, self-drilling screw.
  - Minimum of 5 threads beyond the combined thickness of the siding and steel stud framing.
  - Minimum steel framing thickness of 0.032 inch (8 mm) or 20 gauge.
- 76 Series Strand Substrate lap must be fastened with:
  - Stud spacing a maximum spacing of 24 inches (610 mm) o.c.
  - Minimum #8 hot-dipped galvanized, tapered head, self-drilling screw.
  - Minimum of 5 threads beyond the combined thickness of the siding and steel stud framing.
  - Minimum steel framing thickness of 0.032 inch (8 mm) or 20 gauge.

### CAUTION

- Do not force siding into place.
- **DO NOT USE STAPLES.**
- Climb cut the surface of the siding such that the rotation of the blade cuts downward on the primed or prefinished surface.
- Where siding butts window trim, door casings and masonry, etc. leave a 3/16 inch (5 mm) gap and seal.

### Insulated Sheathings

LP SmartSide lap sidings may be installed over low-compression, rigid foam insulation sheathing or exterior gypsum. The following precautions must be followed:

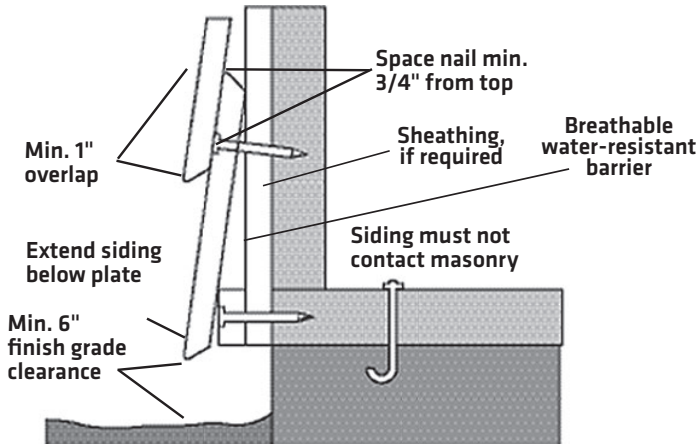
- Adequate bracing of the wall in accordance with the International Building Codes or other ruling building codes is required.
- For rigid foam insulation sheathing up to 1 inch (25 mm) thick, siding may be nailed directly to the foam sheathing unless a drainage plane is required by the local building code. Nail length must be increased to ensure a minimum 1-1/2 inch (38 mm) fastener penetration into the structural framing.

- For rigid foam insulation sheathing greater than 1 inch (25 mm), a minimum 1-1/2 inches (38 mm) thick by 3-1/2 inches (89 mm) wide vertical strap or furring strip must be installed over the sheathing to provide a solid level nailing base for the siding. The strapping must be securely fastened to structural framing spaced no greater than 16 inches (406 mm) o.c. with a minimum nail penetration of 1-1/2 inches (38 mm) and a maximum nail spacing no greater than the width of the siding.

Louisiana-Pacific will assume no responsibility for any damage or condition arising from the use of rigid foam insulation sheathing or exterior gypsum.

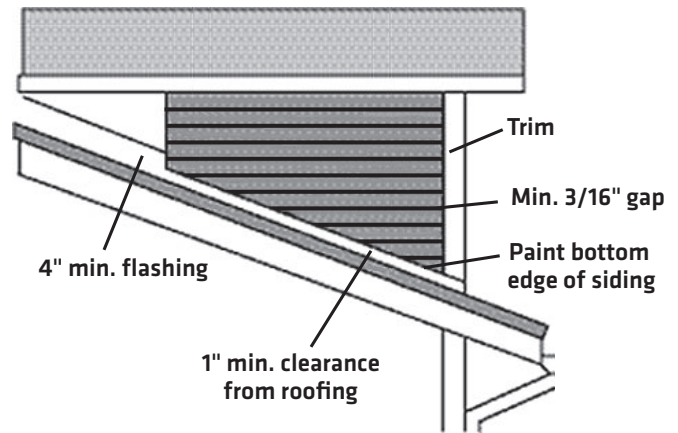
## OVERLAP, CLEARANCE & NAILING SPACE

Figure 1



## 1 INCH (25 MM) ROOF & CHIMNEY CLEARANCE

Figure 4



LP Strand Substrate Lap Siding may also be installed in compliance with Category 8140- Exterior wall siding and sheathing for Wildland Urban Interface (WUI) applications atop LP FlameBlock sheathing. Refer to FlameBlock installation instructions and product data sheets. All LP lap sidings may be installed as exterior siding in Wildland Urban Interface (WUI) applications installed over one layer 5/8" (16 mm) Type X gypsum sheathing applied behind the exterior covering or cladding on the exterior side of the framing. They may also be installed over the exterior portion of a 1-hour fire-resistive exterior wall assembly designed for exterior fire exposure including assemblies using the gypsum panel and sheathing products listed in the Gypsum Association Fire Resistance Design Manual.

The Louisiana-Pacific Corporation ("LP") LP SmartSide Siding (the "Products") limited warranty (the "Warranty") applies only to structures on which the Products have been applied, finished and maintained in accordance with the published application, finishing and maintenance instructions in effect at the time of application. The failure to follow such application, finishing or maintenance instructions will void the Warranty as to the portion of the Products affected by the variance (the "Affected Products").

LP assumes no liability for any loss or damage sustained by the Affected Products and is expressly released by the purchaser or owner from any such loss or liability.

Any modification of the Warranty's application, finishing or maintenance requirements is void unless approved in writing by LP prior to application.

For a copy of the warranty or for installation and technical support, visit the LP SmartSide product support Web site at:

[www.lpsmartside.com](http://www.lpsmartside.com)

or for additional support call 800-648-6893.

WARRANTY REMEDIES ARE NOT AVAILABLE IF REQUIREMENTS ARE NOT FOLLOWED.

**WARNING: Drilling, sawing, sanding or machining wood products can expose you to wood dust, a substance known to the State of California to cause cancer. Avoid inhaling wood dust or use a dust mask or other safeguards for personal protection. For more information go to [www.P65Warnings.ca.gov/wood](http://www.P65Warnings.ca.gov/wood).**

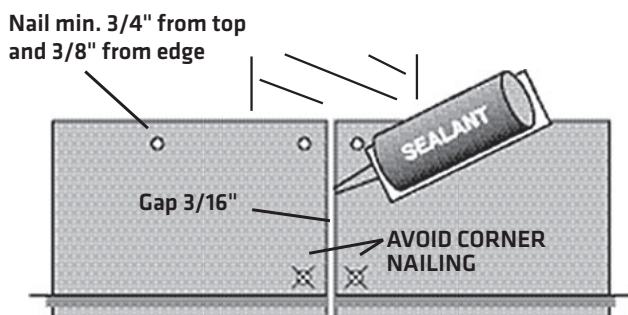
**LP SmartSide®**  
TRIM & SIDING

©2019 Louisiana-Pacific Corporation. All rights reserved. LP and SmartSide are registered trademarks of Louisiana-Pacific Corporation. Printed in U.S.A.

NOTE: Louisiana-Pacific Corporation periodically updates and revises its product information. To verify that this version is current, call 800-450-6106.

## BUTT JOINTS

Figure 2



- Butt joints must occur over studs.
- A minimum 3/16 inch (5 mm) gap is required at ALL butt joints.
- If joint caulking option is selected**, seal all gaps at butt joints with a high-quality exterior sealant meeting the ASTM C920, minimum Class 25 sealant.
- If joint moulding option is selected**, add the thickness of the web to the gap allowing a net 3/16 inch (5 mm) space for expansion.
- If siding is prefinished by a Preferred Prefinisher**, gap does not require sealant or joint moulding when backed with minimum 4 inch (102 mm) wide flashing and the ends of the siding are factory finished.



Figure 3

### Over Openings

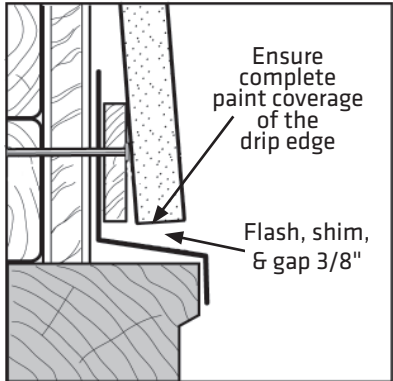


Figure 3A

### Alternate Butt Joint Treatments

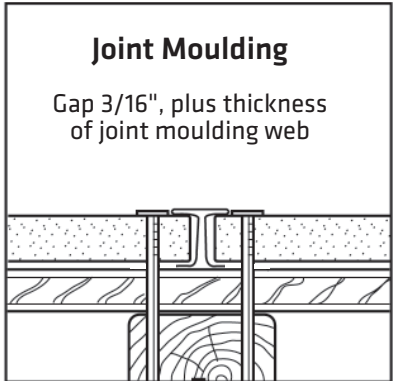


Figure 3B

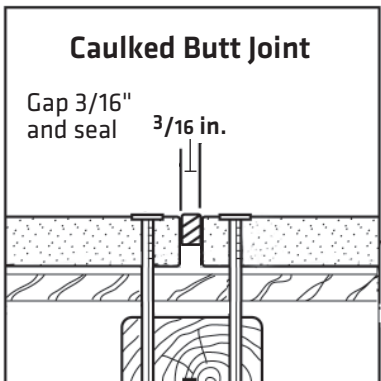


Figure 3C

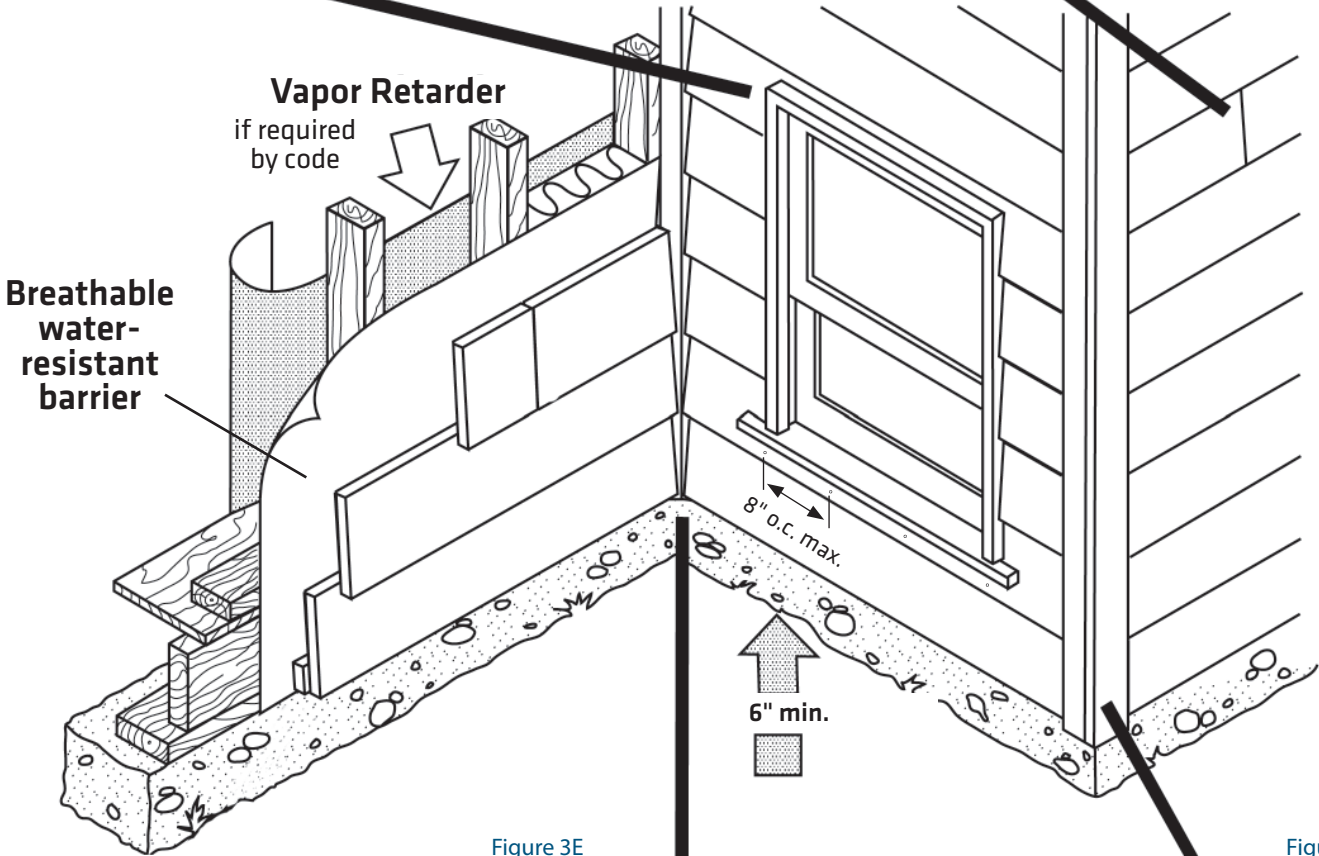
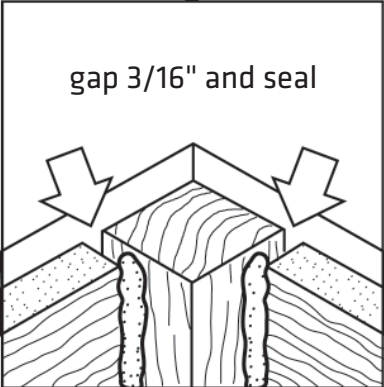
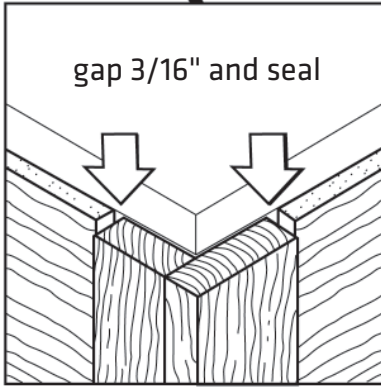


Figure 3E

Figure 3D



**Inside Corner Detail**



**Outside Corner Detail**